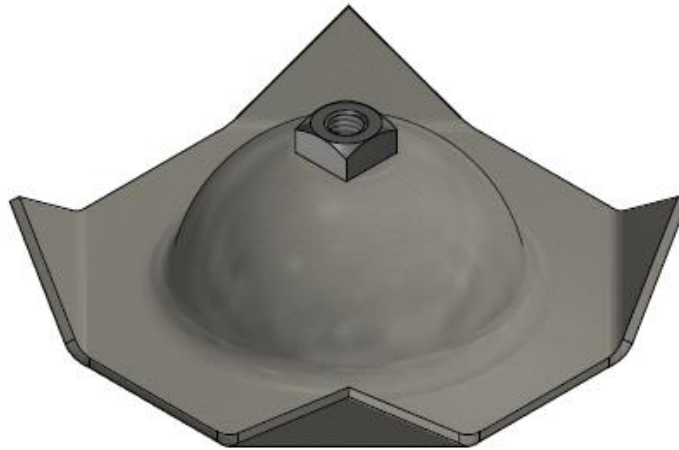


MOUNTING INSTRUCTIONS

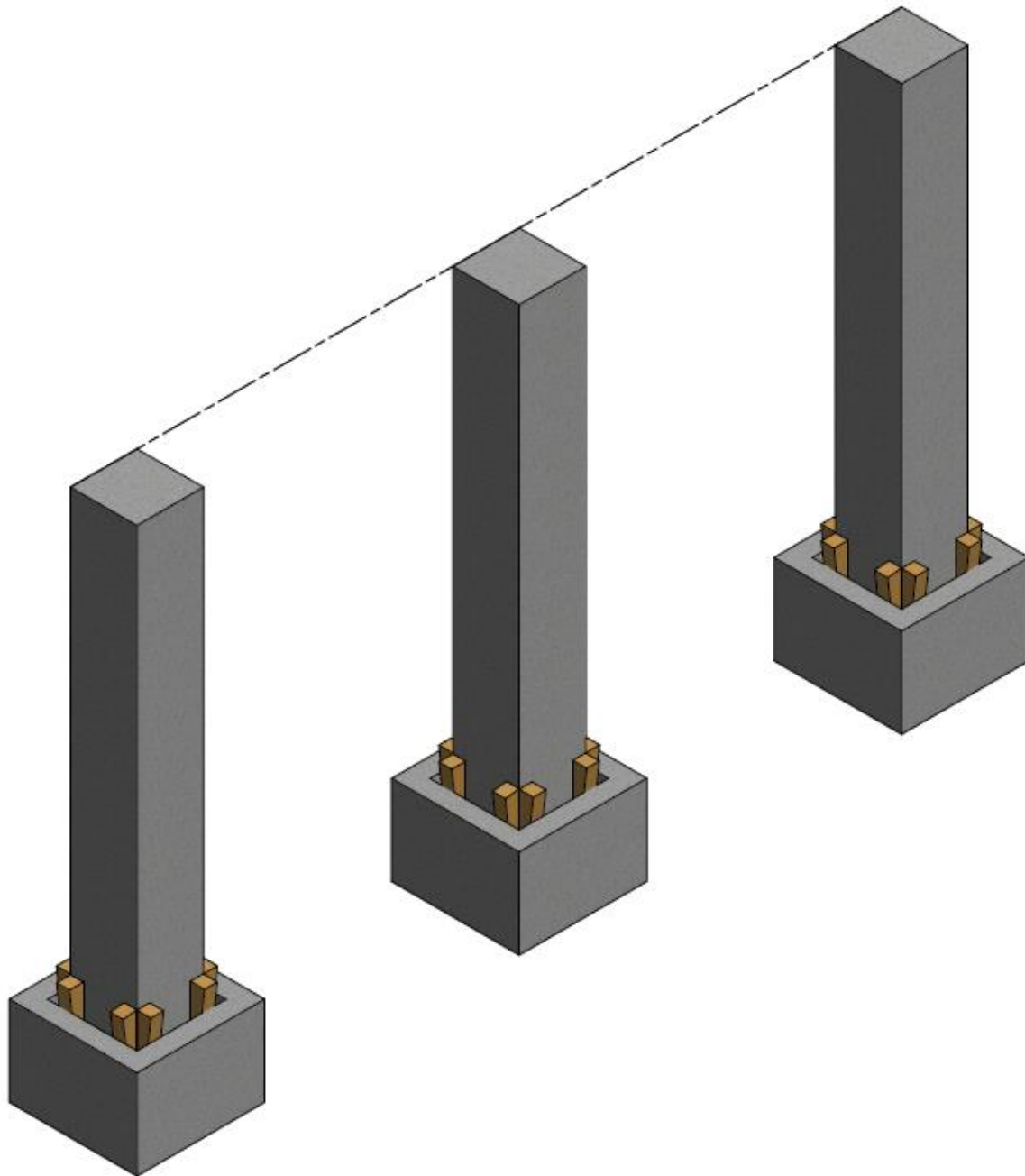


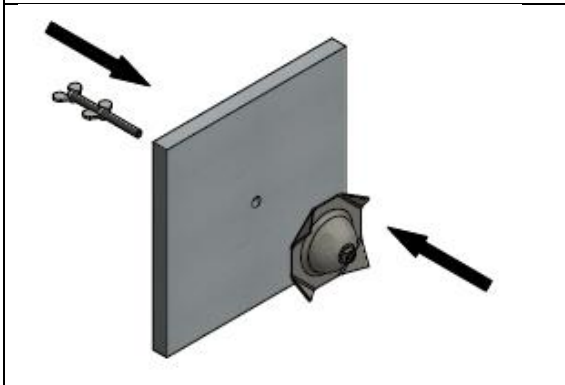
COLUMN CENTRALIZER | **COLUMN CONNECTOR**



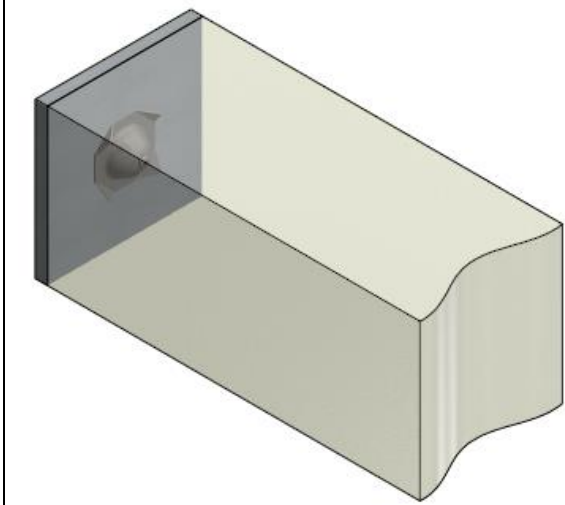
APPLICATION

The fixing connectors are used exclusively for centring and aligning the precast columns on the site, during the installation process.

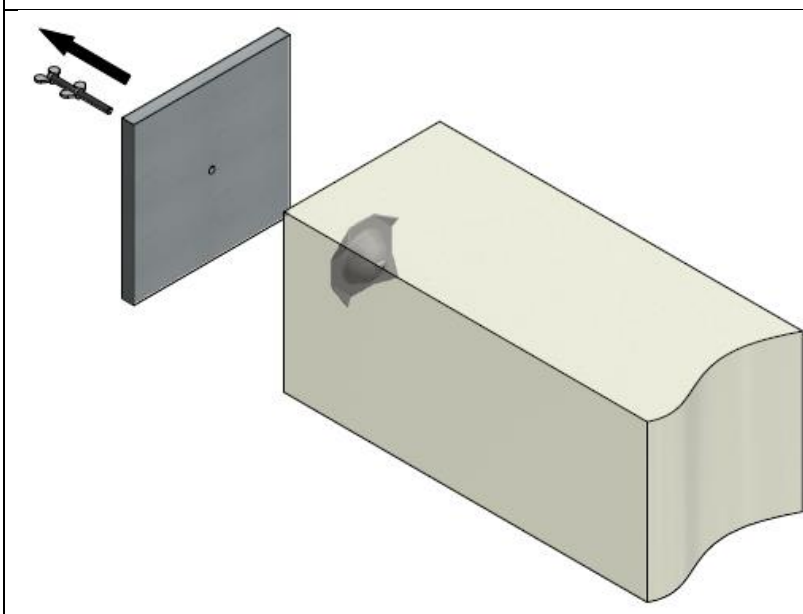


INSTALLATION INSTRUCTIONS
COLUMN CONNECTOR INSTALLATION


The column connector is fixed to formwork using a threaded bar and two wing nuts. Drill the formwork and insert the TDV into the hole and screw the column connector. Tighten using the second nut.



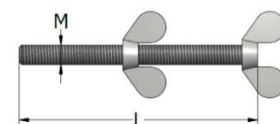
After the column connector is firmly fixed to the formwork, pour the concrete.

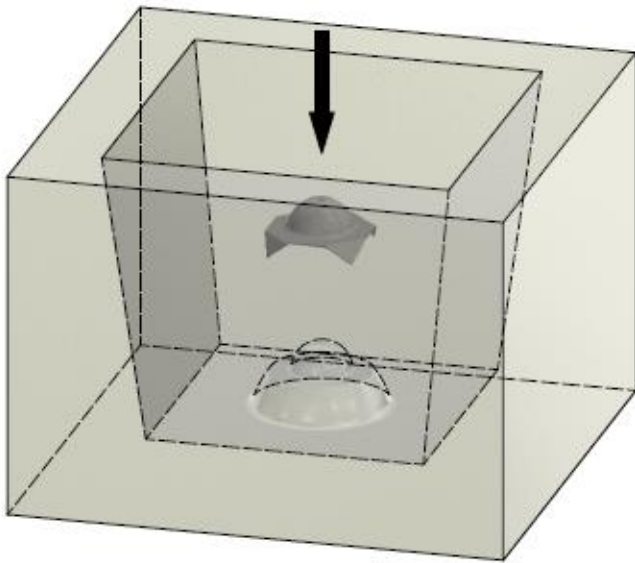


At the end, after the concrete has hardened, the threaded bar is unscrewed, and the formwork can be removed.

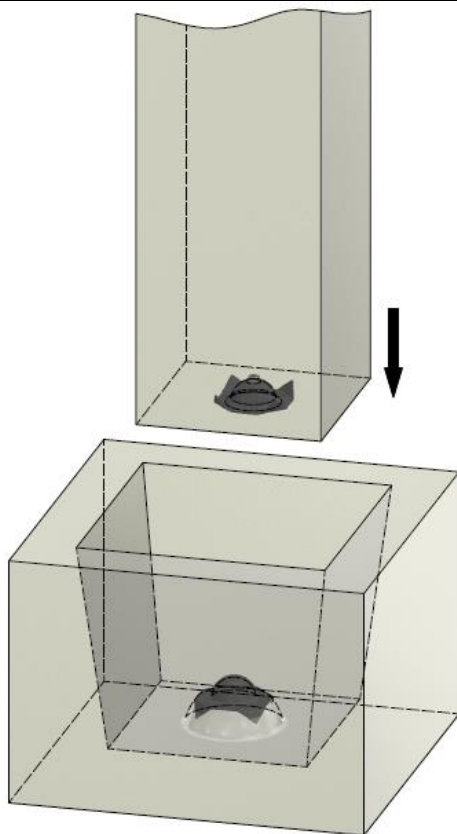


TDV		Thread	L
Description	Product no.	[mm]	[mm]
TDV-3D-013	44589	M8	110

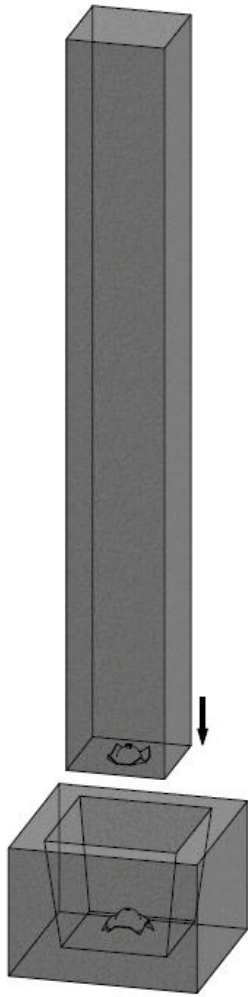


FOUNDATION CONNECTOR INSTALLATION

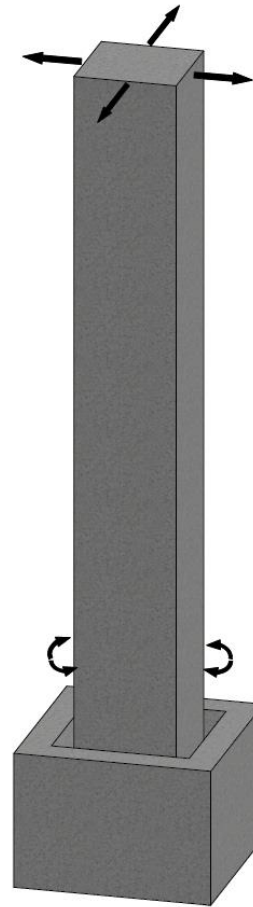
The prefabricated foundation blocks are primarily installed on site.
Sufficient mortar is placed in the middle of the bottom of the cavity which the foundation connector is embedded.
Make sure the exterior spherical surface remains clean.



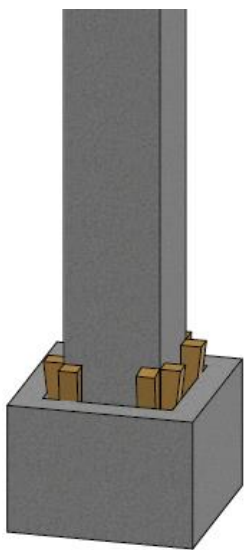
After the mortar is hardened around the foundation connector, the column can be installed.

COLUMN INSTALLATION


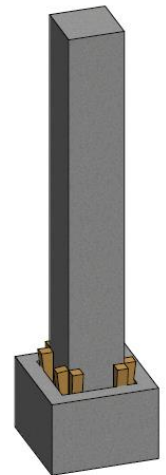
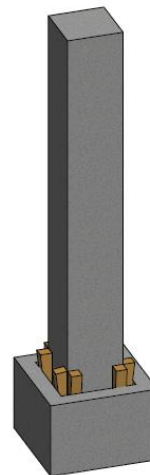
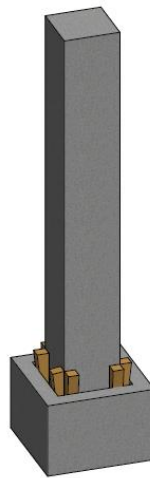
The foundation blocks aligned and installed on site, with the foundation connector embedded can now be used. The columns are lowered in the foundation block cavity.



The connectors permit the column to pivot and maintain a fixed contact point.
Make sure to keep the column fixed in the crane cable until the column is fixed.



After the position was established, the wooden wedges are used to temporarily fix the columns. The wooden wedges will also help to make more positioning adjustments before in order to fill with concrete and permanent fixing.



CONTACT



TERWA is the global supplier for precast and construction solutions with multiple offices around the world. With all our staff, partners and agents, we are happy to provide all construction and precast companies who work in the building industry with full service and 100% support.

TERWA CONSTRUCTION GROUP

Terwa Construction Netherlands (HQ)

Global Sales & Distribution
Kamerlingh Onneslaan 1-3
3401 MZ IJsselstein
The Netherlands
T +31-(0)30 699 13 29
F +31-(0)30 220 10 77
E info@terwa.com

Terwa Construction Central East Europe

Sales & Distribution
Strada Sânzieni
507075 Ghimbav
Romania
T +40 372 611 576
E info@terwa.com

Terwa Construction Poland

Sales & Distribution
Ul. Cicha 5 lok. 4
00-353 Warszawa
Poland
E info@terwa.com

Terwa Construction India & Middle East

Sales & Distribution
India
T +91 89 687 000 41
E info@terwa.com

Terwa Construction China

Sales & distribution
5F 504, No. 101 Chuanchang road
PRC, 200032, Shanghai
China
E info@terwa.com

ALL SPECIFICATIONS CAN BE CHANGED WITHOUT PRIOR NOTICE.

DISCLAIMER

Terwa B.V. is not liable for deviations due to wear of the products it has delivered. Neither is Terwa B.V. liable for damage due to inaccurate and/or improper handling and use of the products it has delivered and/or use of same for purposes other than those intended.

Terwa B.V.'s responsibility is furthermore limited in accordance with article 13 of the "Metaalunie" conditions, which are applicable for all Terwa B.V. deliveries. The user is responsible for ensuring compliance with all applicable copyright laws.

Without limiting the rights under copyright, no part of this documentation may be reproduced, stored in or introduced into a retrieval system, or transmitted in any form or by any means (electronic, mechanical, photocopying, recording, or otherwise), or for any purpose, without the express written permission of Terwa B.V.